



PICDEM™ 2 PLUS

USER'S GUIDE

Note the following details of the code protection feature on PICmicro® MCUs.

- The PICmicro family meets the specifications contained in the Microchip Data Sheet.
- Microchip believes that its family of PICmicro microcontrollers is one of the most secure products of its kind on the market today, when used in the intended manner and under normal conditions.
- There are dishonest and possibly illegal methods used to breach the code protection feature. All of these methods, to our knowledge, require using the PICmicro microcontroller in a manner outside the operating specifications contained in the data sheet. The person doing so may be engaged in theft of intellectual property.
- Microchip is willing to work with the customer who is concerned about the integrity of their code.
- Neither Microchip nor any other semiconductor manufacturer can guarantee the security of their code. Code protection does not mean that we are guaranteeing the product as “unbreakable”.
- Code protection is constantly evolving. We at Microchip are committed to continuously improving the code protection features of our product.

If you have any further questions about this matter, please contact the local sales office nearest to you.

Information contained in this publication regarding device applications and the like is intended through suggestion only and may be superseded by updates. It is your responsibility to ensure that your application meets with your specifications. No representation or warranty is given and no liability is assumed by Microchip Technology Incorporated with respect to the accuracy or use of such information, or infringement of patents or other intellectual property rights arising from such use or otherwise. Use of Microchip's products as critical components in life support systems is not authorized except with express written approval by Microchip. No licenses are conveyed, implicitly or otherwise, under any intellectual property rights.

Trademarks

The Microchip name and logo, the Microchip logo, FilterLab, KEELOQ, microID, MPLAB, PIC, PICmicro, PICMASTER, PICSTART, PRO MATE, SEEVAL and The Embedded Control Solutions Company are registered trademarks of Microchip Technology Incorporated in the U.S.A. and other countries.

dsPIC, ECONOMONITOR, FanSense, FlexROM, fuzzyLAB, In-Circuit Serial Programming, ICSP, ICEPIC, microPort, Migratable Memory, MPASM, MPLIB, MPLINK, MPSIM, MXDEV, PICC, PICDEM, PICDEM.net, rPIC, Select Mode and Total Endurance are trademarks of Microchip Technology Incorporated in the U.S.A.

Serialized Quick Turn Programming (SQTP) is a service mark of Microchip Technology Incorporated in the U.S.A.

All other trademarks mentioned herein are property of their respective companies.

© 2002, Microchip Technology Incorporated, Printed in the U.S.A., All Rights Reserved.

 Printed on recycled paper.



Microchip received QS-9000 quality system certification for its worldwide headquarters, design and wafer fabrication facilities in Chandler and Tempe, Arizona in July 1999 and Mountain View, California in March 2002. The Company's quality system processes and procedures are QS-9000 compliant for its PICmicro® 8-bit MCUs, KEELOQ® code hopping devices, Serial EEPROMs, microperipherals, non-volatile memory and analog products. In addition, Microchip's quality system for the design and manufacture of development systems is ISO 9001 certified.

Table of Contents

Chapter 1. Introduction

1.1	Welcome	1
1.2	PICDEM 2 Plus Demonstration Board	2
1.3	Sample Devices	3
1.4	Sample Programs	3
1.5	PICDEM 2 Plus User's Guide	4
1.6	Reference Documents	4

Chapter 2. Getting Started

2.1	PICDEM 2 Plus as a Stand-Alone Board – Preprogrammed Device	5
2.2	PICDEM 2 Plus Used with an In-Circuit Emulator or In-Circuit Debugger.....	6

Chapter 3. Tutorials

3.1	Tutorial Program Operation	9
3.2	Source Code and Application Notes	12

Appendix A. Hardware Detail

A.1	Processor Sockets	13
A.2	Display	13
A.3	Power Supply	13
A.4	RS-232 Serial Port	14
A.5	Switches	14
A.6	Oscillator Options	14
A.7	Analog Input	14
A.8	ICD Connector	14
A.9	Temperature Sensor	15
A.10	Serial EEPROM	15
A.11	LCD	15
A.12	Sample Devices	15
A.13	Board Layout and Schematics	16

PICDEM™ 2 Plus User's Guide

Index	19
Worldwide Sales and Service	20

Chapter 1. Introduction

1.1 Welcome

Thank you for purchasing the PICDEM 2 Plus demonstration board from Microchip Technology Incorporated. The PICDEM 2 Plus is a simple board which demonstrates the capabilities of the 18-, 28- and 40-pin PIC16XXXX and PIC18XXXX devices.

The PICDEM 2 Plus can be used stand-alone with a programmed part, with an in-circuit emulator (e.g., MPLAB® ICE) or with an in-circuit debugger (e.g., MPLAB ICD 2). Sample programs are provided to demonstrate the unique features of the supported devices.

The PICDEM 2 Plus Kit comes with the following:

1. PICDEM 2 Plus Demonstration Board (Figure 1.1)
2. Sample devices
3. CD-ROM, which contains:
 - a) Sample programs
 - b) PICDEM 2 Plus Demonstration Board User's Guide
 - c) Application Notes

If you are missing any part of the kit, please contact your nearest Microchip sales office, listed in the back of this publication, for help.

PICDEM™ 2 Plus User's Guide

1.2 PICDEM 2 Plus Demonstration Board

The PICDEM 2 Plus demonstration board has the following hardware features:

1. 18-, 28- and 40-pin DIP sockets. (Although 3 sockets are provided, only one device may be used at a time.)
2. On-board +5V regulator for direct input from 9V, 100mA AC/DC wall adapter or 9V battery, or hooks for a +5V, 100mA regulated DC supply.
3. RS-232 socket and associated hardware for direct connection to RS-232 interface.
4. In-circuit debugger (ICD) connector.
5. 5K Ω pot for devices with analog inputs.
6. Three push button switches for external stimulus and RESET.
7. Green power-on indicator LED.
8. Four red LEDs connected to PORTB.
9. Jumper J6 to disconnect LEDs from PORTB.
10. 4 MHz canned crystal oscillator.
11. Unpopulated holes provided for crystal connection.
12. 32.768 KHz crystal for Timer1 clock operation.
13. Jumper J7 to disconnect on-board RC oscillator (approximately 2 MHz).
14. 256K x 8 Serial EEPROM.
15. LCD display.
16. Piezo buzzer.
17. Prototype area for user hardware.
18. Microchip TC74 thermal sensor.

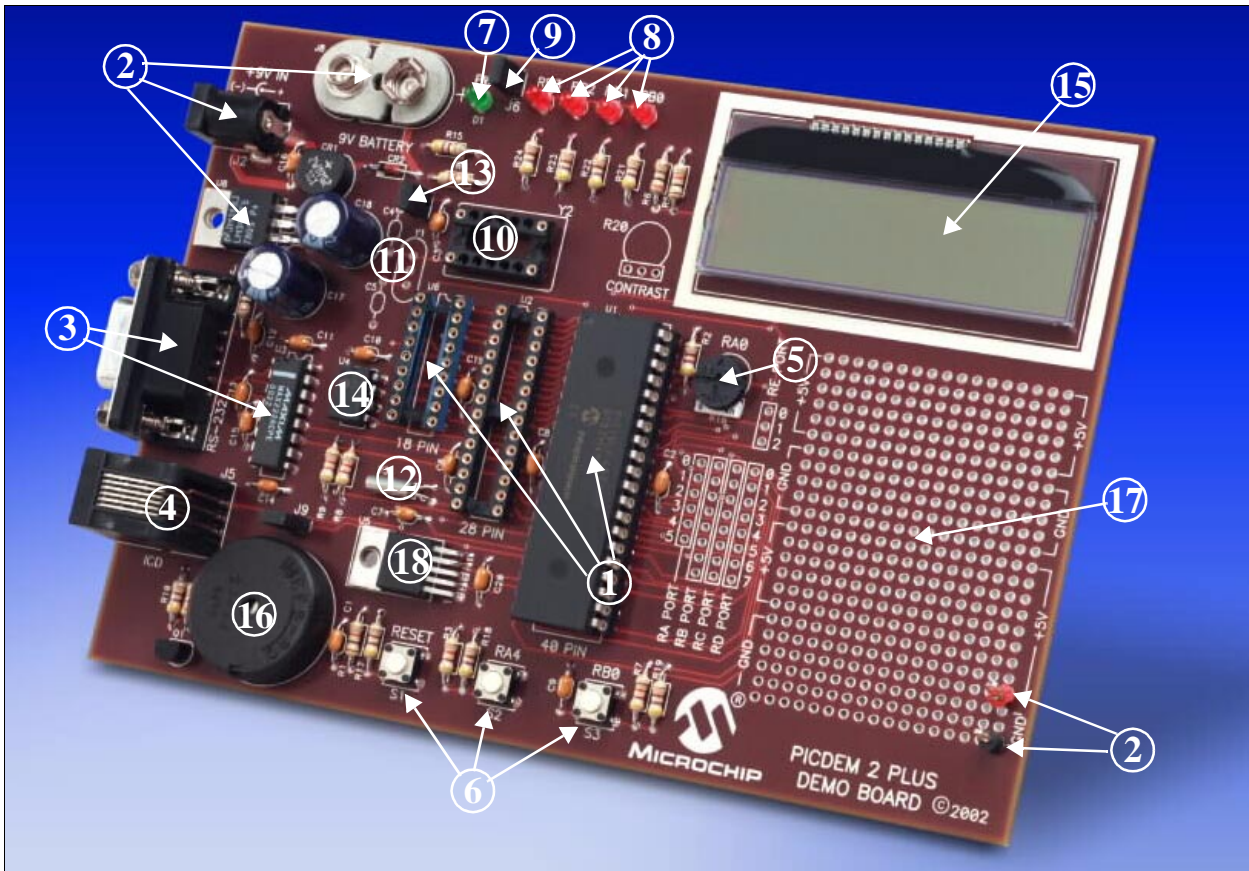


Figure 1.1: PICDEM 2 Plus Hardware

1.3 Sample Devices

Two FLASH devices are included. The device types may change, but will generally include PIC16XXXX and PIC18XXXX 40-pin DIP devices.

1.4 Sample Programs

The PICDEM 2 Plus Kit includes a CD-ROM with sample demonstration programs. These programs may be used with the included sample devices, with an in-circuit emulator (ICE) or with an in-circuit debugger (ICD). For each type of device (PIC16XXXX or PIC18XXXX), demo source code (several ASM files) and compiled code (one HEX file) are provided.

PICDEM™ 2 Plus User's Guide

1.5 PICDEM 2 Plus User's Guide

This document describes the PICDEM 2 Plus demonstration board, tutorial and demonstration software. Detailed information on individual microcontrollers may be found in the device's respective data sheet. Detailed information on in-circuit emulator (ICE) or in-circuit debugger (ICD) systems may be found in the respective tool's user's guide.

Chapter 1: Introduction – This chapter introduces the PICDEM 2 Plus and provides a brief description of the hardware.

Chapter 2: Getting Started – This chapter goes through a basic step-by-step process for getting your PICDEM 2 Plus up and running as a stand-alone board or with an ICE or ICD.

Chapter 3: Tutorial – This chapter provides a detailed description of the tutorial program.

Appendix A: Hardware Description: This appendix describes in detail the hardware of the PICDEM 2 Plus board.

1.6 Reference Documents

Reference Documents may be obtained by contacting your nearest Microchip sales office (listed in the back of this document) or by downloading via the Microchip website (www.microchip.com).

- *Technical Library CD-ROM* (DS00161) or individual data sheets:
 - *PIC16F87X Data Sheet* (DS30292)
 - *PIC18FXX2 Data Sheet* (DS39564)
 - *PICmicro® Midrange MCU Family Reference Manual* (DS33023)
 - *PICmicro® 18C MCU Family Reference Manual* (DS39500)
 - *TC74 Data Sheet* (DS21462)
- *MPLAB® IDE, Simulator and Editor User's Guide* (DS51025)
- *MPASM™ Assembler User's Guide with MPLINK™ Linker and MPLIB™ Librarian* (DS33014)
- *PRO MATE® II User's Guide* (DS30082)
- *PICSTART® Plus User's Guide* (DS51028)
- *MPLAB® ICE User's Guide* (DS51159)
- *MPLAB® ICD 2 Quick Start Guide* (DS51268)
- *Microchip Third Party Guide* (DS00104)

Chapter 2. Getting Started

The PICDEM 2 Plus may be used as a stand-alone board with a preprogrammed device, with an in-circuit emulator (ICE) or with an in-circuit debugger (ICD). For a list of PICmicro microcontroller-compatible ICEs or ICDs, please refer to the *Development Systems Ordering Guide* or the *Microchip Third Party Guide*.

2.1 PICDEM 2 Plus as a Stand-Alone Board – Preprogrammed Device

The PICDEM 2 Plus may be demonstrated immediately by following the steps listed below:

- Place the preprogrammed sample device in the appropriate socket on the PICDEM 2 Plus board.
- Place a jumper on J6 (to enable the LEDs).
- Verify that the board is set up for a 4MHz canned oscillator, (i.e., no jumper on J7; a 4MHz osc in Y2; Y1, C4 and C5 are empty).
- Apply power to the PICDEM 2 Plus. For information on acceptable power sources, see Appendix A.

To reprogram the sample device, the following will be necessary:

1. Program source code.

User source code may be used to program the device or, if this has previously been done, the sample program may be restored from the file on the included CD-ROM.

2. An assembler, such as MPASM assembler (available with MPLAB IDE), or a compiler, such as MPLAB C18 (PIC18XXXX devices only).

Source code must be assembled or compiled into a HEX file before it can be programmed into the device. Microchip Technology's MPASM assembler or MPLAB C18 C compiler may be used. Both are compatible with MPLAB IDE. However, other assemblers/compilers may be used. For a list of these PICmicro MCU-compatible language tools, please refer to the *Microchip Third Party Guide*.

3. A device programmer, such as PRO MATE II, PICSTART Plus, or MPLAB ICD 2 (programmer functionality available with MPLAB IDE v6.00 or greater).

Once the sample program is in hex file format, a programmer may be used to program a Flash device. Microchip Technology's PRO MATE II device programmer, PICSTART Plus development programmer or MPLAB ICD 2 may be used. All are compatible with MPLAB IDE. However, other programmers may be used. For a list of these PICmicro MCU-compatible programmers, please refer to the *Microchip Third Party Guide*.

PICDEM™ 2 Plus User's Guide

If the code protection bit(s) have not been programmed, the on-chip program memory can be read out for verification purposes.

2.2 PICDEM 2 Plus Used with an In-Circuit Emulator or In-Circuit Debugger

To use PICDEM 2 Plus with an in-circuit emulator (ICE) or in-circuit debugger (ICD), refer to the tool's user guide for instructions on how to power up and configure the ICE/ICD, as well as how to connect to target boards (e.g., Figure 2.1).

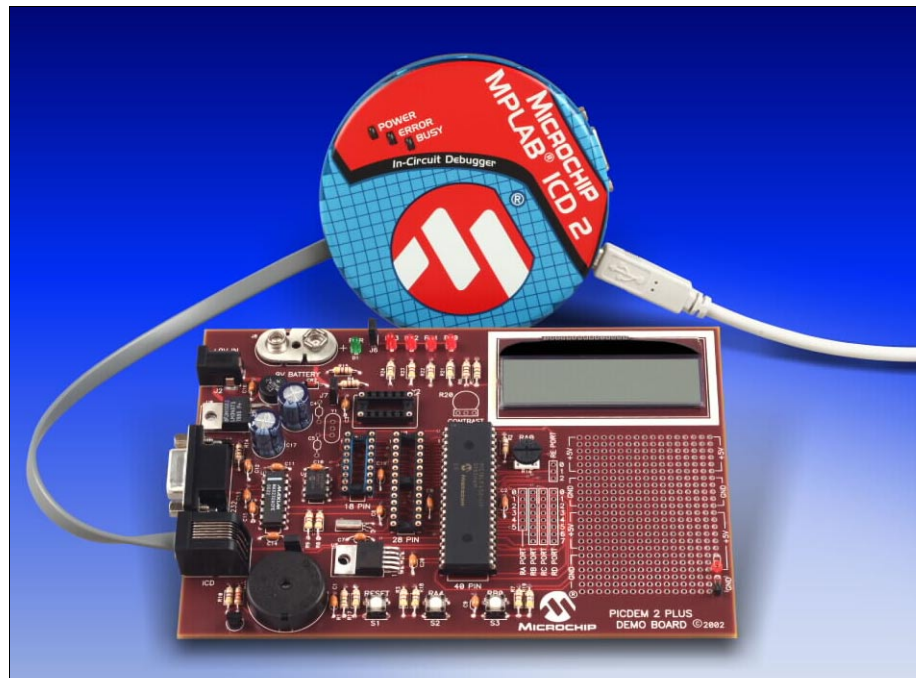


Figure 2.1: PICDEM 2 Plus Connected to MPLAB ICD 2 using USB

Getting Started

Configure the PICDEM 2 Plus for the desired oscillator as described in Table 2.1. Refer to the ICE/ICD user's guide for any oscillator configuration requirements.

Table: 2.1 OSCILLATOR SELECTION

Oscillator Selection on PICDEM 2 Plus	Modification on PICDEM 2 Plus
RC	J7 installed, Y2 empty, Y1 empty
Crystal	J7 removed, Y2 empty, crystal in Y1, caps in C4 and C5
Canned Oscillator	J7 removed, oscillator in Y2 (Y1, C4, C5 empty)
Resonator - no internal caps	J7 removed, Y2 empty, resonator in Y1, caps in C4 and C5
Resonator - with internal caps	J7 removed, Y2 empty, resonator in Y1, C4 and C5 empty

PICDEM™ 2 Plus User's Guide

NOTES:

Chapter 3. Tutorials

The tutorial program is preprogrammed into the sample device, (i.e., `p16demo.hex` for a PIC16XXXX device and `p18demo.hex` for a PIC18XXXX device). Also, this program is on the included CD-ROM program disk for user reference, (i.e., if the sample device has been reprogrammed with another program, the tutorial may be reprogrammed into the device).

For detailed information on the PICDEM 2 Plus hardware, please refer to Appendix A.

3.1 Tutorial Program Operation

The tutorial program is made up of four components, which are individually displayed on the LCD.

1. **Voltmeter**

This mode uses the A/D module to measure the voltage of the R16 pot and display a voltage between 0.00V and 5.00V on the LCD. Voltage is continually updated until the mode is exited by pressing RB0.

2. **Buzzer**

This mode turns on the Piezo buzzer using the CCP1 module I/O pin RC2. The period and duty cycle of the CCP1 frequency can be changed while the buzzer is on. The changes in period and duty cycle are recognized immediately in the buzzer tone. To change the period and/or the duty cycle, press RB0 under the "Buzzer" menu. The buzzer will then sound off with default setting of 80h for the period and duty cycle. The cursor will flash over the periods first digit indicating that the PR2 register is ready to be incremented. To change the duty cycle, press RA4 once and the cursor will now flash over the duty cycle's first digit indicating it is now ready to increment the CCPR1L register. The next press of RA4 will exit the buzzer function.

3. **Temperature**

This mode uses a TC74 thermal sensor to measure ambient temperature in Celsius and then display that temperature on the LCD. Communication between the PICmicro MCU and sensor is accomplished using the MSSP module. This mode is exited by pressing RB0. This mode contains code that will write to the external on-board EEPROM. Every 2 seconds the code will write to a defined EEPROM address and store the current temperature in that address.

PICDEM™ 2 Plus User's Guide

4. Clock

Once this mode is entered from the main menu, a real time clock will start counting from 00:00:00. The Timer1 module and a 32KHz clock crystal is used to establish a real time clock. By pressing RA4, the clock time can be set to the user's preference. When RA4 is pressed to set the time, the cursor will flash over the hours ten digit. Press RA4 again and the cursor will now flash over the minutes ten digit. RB0 is used to increment hours and minutes whenever the cursor is flashing over either. After the minutes have been set, press RA4 and the time will be set and the LCD is returned to an active clock display.

The data that is sent to the LCD is also sent to the RS-232 serial port using the USART on the PICmicro MCU. A HyperTerminal™ program on the PC will be able to display the same information that is displayed on the LCD

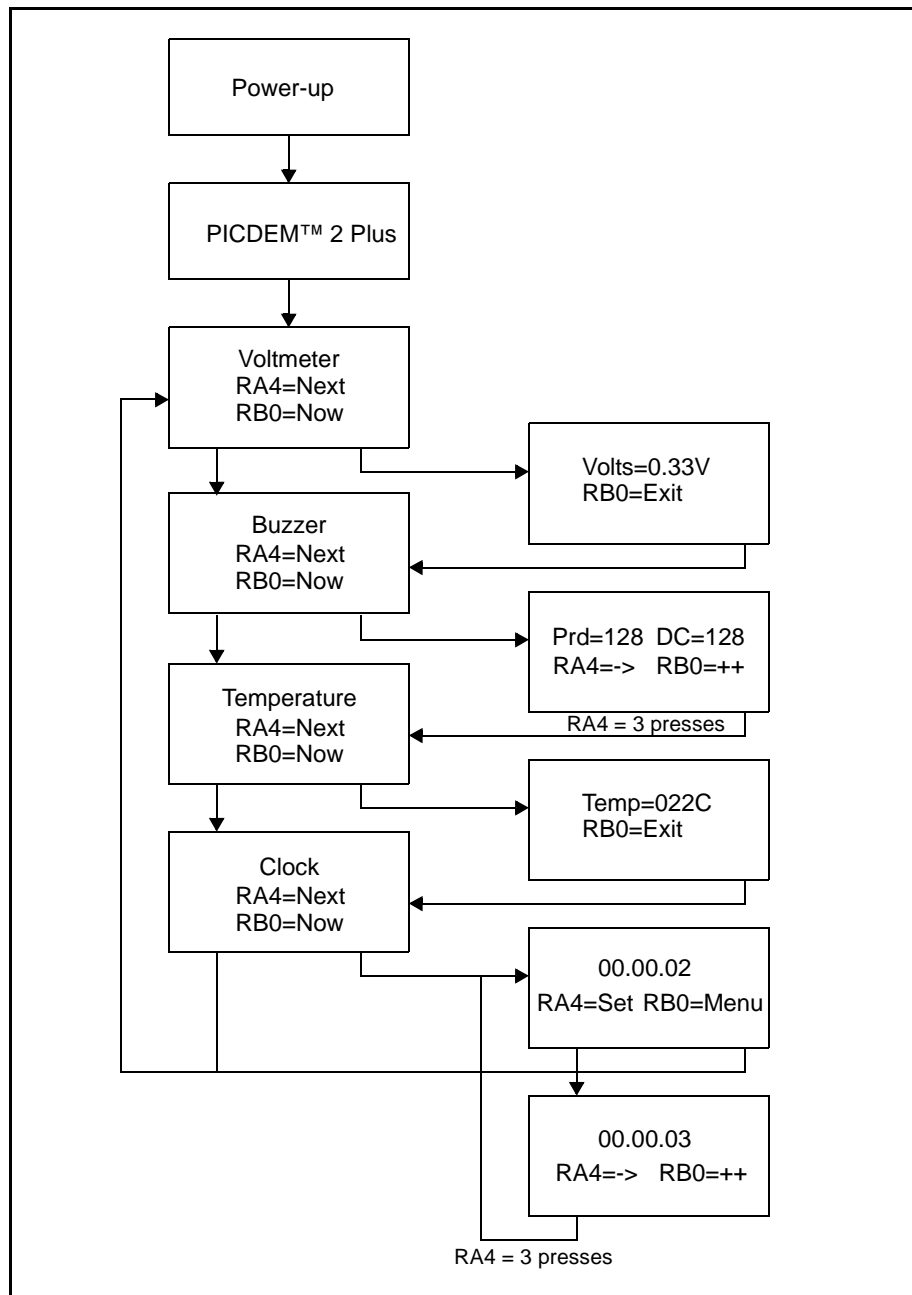


Figure 3.1: Tutorial Program Flow Chart

3.2 Source Code and Application Notes

In addition to the assembled tutorial programs (HEX files), source code used to create these HEX files is included on the PICDEM 2 Plus CD-ROM. Both source code and related HEX file are found in device-specific directories.

Application Notes are also included on the CD-ROM for additional examples of use.

For information on how to reprogram the device with new or modified code, or how to restore the tutorial program, please see Section 2.1.

Appendix A. Hardware Detail

The PICDEM 2 Plus hardware is extremely simple and is intended to illustrate the ease of use of various PICmicro MCUs. The PICDEM 2 Plus features the following hardware elements:

A.1 Processor Sockets

Although three sockets are provided, only one device may be used at a time.

- 18-pin socket
- 28-pin socket
- 40-pin socket

A.2 Display

Four red LEDs are connected to PORTB of each processor type. The PORTB pins are set high to light the LEDs. These LEDs may be disconnected from PORTB by removing jumper J6.

One green LED is provided to determine whether there is power to the PICDEM 2 Plus board (LED on) or not (LED off).

A.3 Power Supply

There are three ways to supply power to PICDEM 2 Plus:

- A 9V battery can be plugged into J8.
- A 9V, 100mA unregulated AC or DC supply can be plugged into J2. A power supply can be purchased through Microchip, Part #AC162039.
- A +5V, 100mA regulated DC supply can be connected to the hooks provided.

Note: The PICDEM 2 Plus kit does not include a power supply.

MPLAB ICE 2000 users have a regulated +5V power supply available in the logic probe connector and can easily connect to the hooks on PICDEM 2 Plus (Red probe to +5V and Black probe to GND).

MPLAB ICD 2 users may use the ICD to power the target board to 5V, up to 200mA, if the MPLAB ICD 2 is connected to the PC with a serial cable.

PICDEM™ 2 Plus User's Guide

A.4 RS-232 Serial Port

An RS-232 level shifting IC has been provided with all necessary hardware to support connection of an RS-232 host through the DB9 connector. The port is configured as DCE, and can be connected to a PC using a straight through cable.

The PIC16/PIC18 RX and TX pins are tied to the RX and TX lines of the MAX232A.

A.5 Switches

Three switches provide the following functions:

- S1 - $\overline{\text{MCLR}}$ to hard reset the processor
- S2 - Active low switch connected to RA4
- S3 - Active low switch connected to RB0

Switches S1 and S3 have debounce capacitors whereas S2 does not, allowing the user to investigate debounce techniques.

When pressed, the switches are grounded. When idle, they are pulled high (+5V).

A.6 Oscillator Options

- RC oscillator (2MHz approximately) supplied. This oscillator may be disabled by removing jumper J7.
- Pads provided for user furnished crystal and two capacitors.
- Removable 4 MHz canned oscillator.
- 32.768 KHz (watch type) crystal for Timer1.

A.7 Analog Input

A 5K ohm potentiometer is connected through a series 470 ohm resistor to AN0.

The pot can be adjusted from VDD to GND to provide an analog input to the parts with an A/D module.

A.8 ICD Connector

By way of the modular connector (J5), the MPLAB ICD 2 can be connected for low cost debugging. The ICD connector utilizes RB6 and RB7 of the microcontroller for in-circuit debugging.

A.9 Temperature Sensor

This is a serial digital thermal sensor (TC74) connected to the 28- and 40- pin microcontrollers via RC3 and RC4. Communication is accomplished with the TC74 via its 2-wire I²C™ compatible serial port. This device has an address of 1001101b.

A.10 Serial EEPROM

A 24L256 256K (256Kx8) serial EEPROM is included on the board to illustrate I²C bus concepts.

For more information on the serial EEPROM, please refer to the most recent version of the *Technical Library CD-ROM*.

A.11 LCD

An LCD display with 2 lines, 16 characters each, is connected to the 28- and 40-pin sockets. There are three control lines (RA3: RA1) and four data lines (RD3: RD0).

A 5K pot may be installed into R20 to adjust contrast on the LCD. If this is done, R5 and R6 need to be removed.

A.12 Sample Devices

A sample part programmed with a simple program is included in the PICDEM 2 Plus kits.

Table 10-1 lists the I/O features and port connections for each processor type.

TABLE A-1: PORT CONNECTIONS

Device	LEDs	RS-232	S1	S2	S3	Pot R16	LCD	EEPROM	Buzzer	ICD	Temp Sensor	Y1/Y2
18-pin	RB3:RB0	N/A	$\overline{\text{MCLR}}$	RA4	RB0	RA0	N/A	N/A	N/A	RB6/RB7	N/A	Yes
28-pin	RB3:RB0	RC6/RC7	$\overline{\text{MCLR}}$	RA4	RB0	RA0	RA3:RA1 RD3:RD0	RC3/RC4	RC2	RB6/RB7	RC3/RC4	Yes
40-pin	RB3:RB0	RC6/RC7	$\overline{\text{MCLR}}$	RA4	RB0	RA0	RA3:RS1 RD3:RD0	RC3/RC4	RC2	RB6/RB7	RC3/RC4	Yes

PICDEM™ 2 Plus User's Guide

A.13 Board Layout and Schematics

The following figures show the parts layout (silkscreen) and schematics for the PICDEM 2 Plus board.

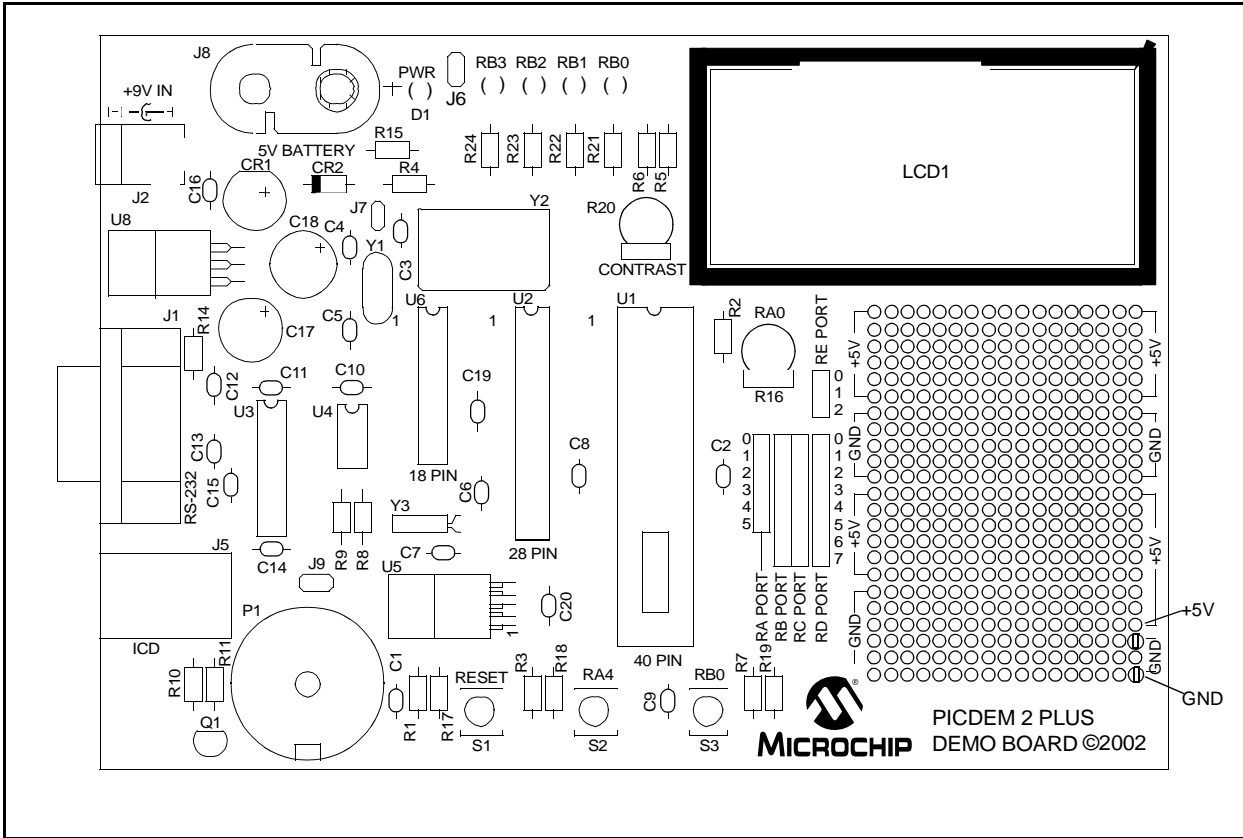


FIGURE A-1: PICDEM 2 Plus Parts Layout

Hardware Detail

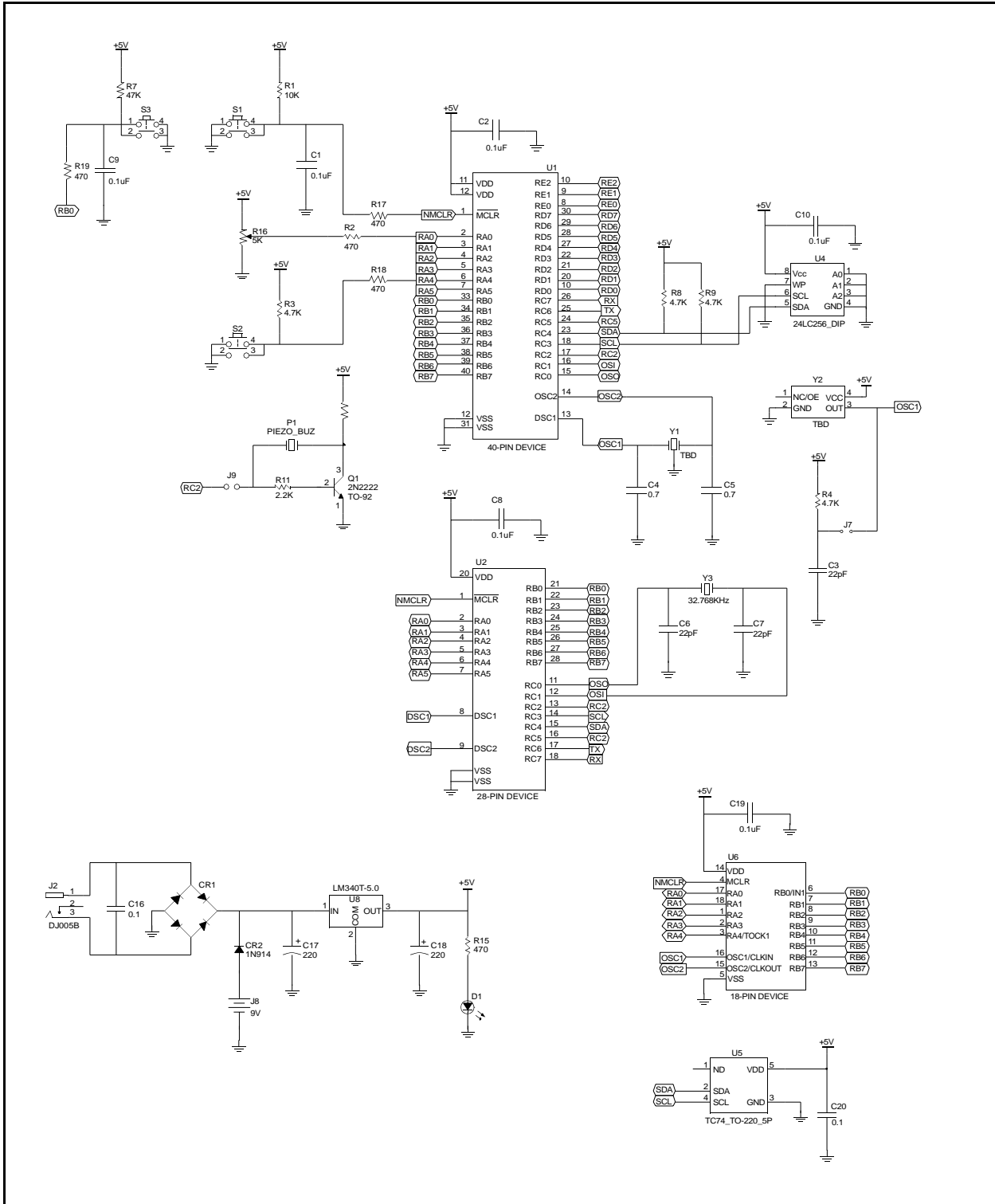


FIGURE A-2: PICDEM 2 Plus Schematic

PICDEM™ 2 Plus User's Guide

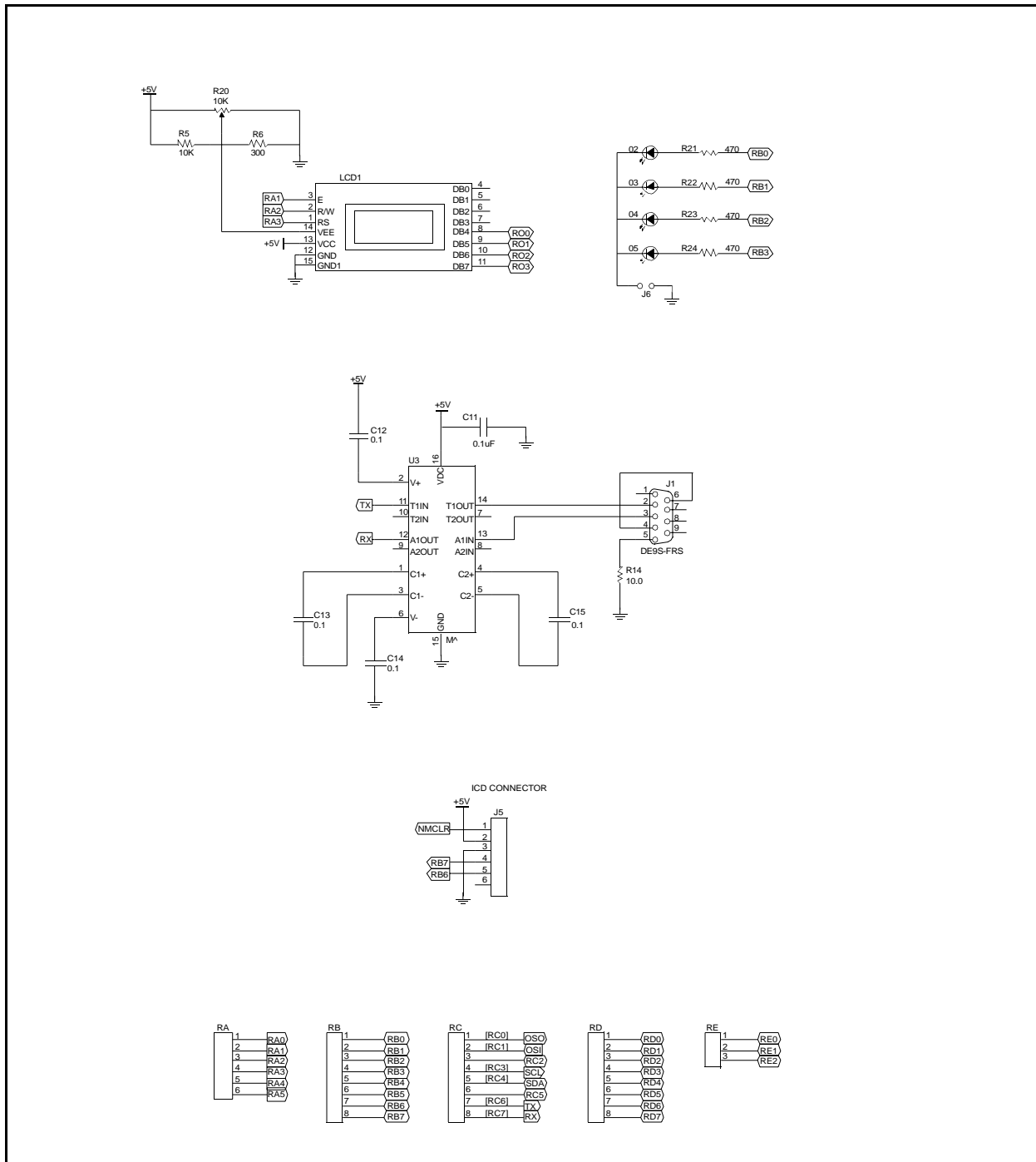


FIGURE A-3: PICDEM 2 Plus Schematic (Continued)



Index

A	
A/D Input	2, 14
B	
Board	1, 2, 5, 13
Parts Layout	16
Power Supply	5, 13
Silkscreen	16
Buzzer	9
Buzzer, Piezo	2
C	
Clock	10
D	
Demonstration Board. See Board	
Demonstration Programs. See Sample Programs	
E	
EEPROM, Serial	2, 15
H	
Hardware	13
K	
Kit Components	1
L	
LCD	2, 15
LEDs	
Green Power	2, 13
Red Display	2, 5, 13
M	
MPASM Assembler	5
MPASM Assembler User's Guide with MPLINK Linker and MPLIB Librarian ..	4
MPLAB C18	5
MPLAB ICD 2	1, 5, 6, 13, 14
MPLAB ICD 2 Quick Start Guide	4
MPLAB ICE	1, 6, 13
MPLAB ICE User's Guide	4
MPLAB IDE	5
MPLAB IDE User's Guide	4
O	
Oscillator Options	14
Oscillator Selection	7
P	
PIC16F87x Data Sheet	4
PIC16XXX	1
Tutorial Program	9
PIC18Fxx2 Data Sheet	4
PIC18XXX	1
Tutorial Program	9
PICDEM 2 Plus Board. See Board	
PICDEM 2 Plus Kit. See Kit Components	
PICSTART® Plus	5
PICSTART® Plus User's Guide	4
Piezo Buzzer	2
PRO MATE® II	5
PRO MATE® II User's Guide	4
Pushbuttons. See Switches	
R	
Reference Documents	4
RS-232	2, 14
S	
Sample Devices	1, 3, 15
Sample Programs	1, 3
Sockets	13
Switches	2, 14
T	
TC74	2, 15
TC74 Data Sheet	4
Temperature	9
Tutorial	9
V	
Voltmeter	9



WORLDWIDE SALES AND SERVICE

AMERICAS

Corporate Office

2355 West Chandler Blvd.
Chandler, AZ 85224-6199
Tel: 480-792-7200 Fax: 480-792-7277
Technical Support: 480-792-7627
Web Address: <http://www.microchip.com>

Rocky Mountain

2355 West Chandler Blvd.
Chandler, AZ 85224-6199
Tel: 480-692-7966 Fax: 480-792-7456

Atlanta

500 Sugar Mill Road, Suite 200B
Atlanta, GA 30350
Tel: 770-640-0034 Fax: 770-640-0307

Boston

2 Lan Drive, Suite 120
Westford, MA 01886
Tel: 978-692-3848 Fax: 978-692-3821

Chicago

333 Pierce Road, Suite 180
Itasca, IL 60143
Tel: 630-285-0071 Fax: 630-285-0075

Dallas

4570 Westgrove Drive, Suite 160
Addison, TX 75001
Tel: 972-818-7423 Fax: 972-818-2924

Detroit

Tri-Atria Office Building
32255 Northwestern Highway, Suite 190
Farmington Hills, MI 48334
Tel: 248-538-2250 Fax: 248-538-2260

Kokomo

2767 S. Albright Road
Kokomo, Indiana 46902
Tel: 765-864-8360 Fax: 765-864-8387

Los Angeles

18201 Von Karman, Suite 1090
Irvine, CA 92612
Tel: 949-263-1888 Fax: 949-263-1338

New York

150 Motor Parkway, Suite 202
Hauppauge, NY 11788
Tel: 631-273-5305 Fax: 631-273-5335

San Jose

Microchip Technology Inc.
2107 North First Street, Suite 590
San Jose, CA 95131
Tel: 408-436-7950 Fax: 408-436-7955

Toronto

6285 Northam Drive, Suite 108
Mississauga, Ontario L4V 1X5, Canada
Tel: 905-673-0699 Fax: 905-673-6509

ASIA/PACIFIC

Australia

Microchip Technology Australia Pty Ltd
Suite 22, 41 Rawson Street
Epping 2121, NSW
Australia
Tel: 61-2-9868-6733 Fax: 61-2-9868-6755

China - Beijing

Microchip Technology Consulting (Shanghai)
Co., Ltd., Beijing Liaison Office
Unit 915
Bei Hai Wan Tai Bldg.
No. 6 Chaoyangmen Beidajie
Beijing, 100027, No. China
Tel: 86-10-85282100 Fax: 86-10-85282104

China - Chengdu

Microchip Technology Consulting (Shanghai)
Co., Ltd., Chengdu Liaison Office
Rm. 2401, 24th Floor,
Ming Xing Financial Tower
No. 88 TIDU Street
Chengdu 610016, China
Tel: 86-28-6766200 Fax: 86-28-6766599

China - Fuzhou

Microchip Technology Consulting (Shanghai)
Co., Ltd., Fuzhou Liaison Office
Unit 28F, World Trade Plaza
No. 71 Wusi Road
Fuzhou 350001, China
Tel: 86-591-7503506 Fax: 86-591-7503521

China - Shanghai

Microchip Technology Consulting (Shanghai)
Co., Ltd.
Room 701, Bldg. B
Far East International Plaza
No. 317 Xian Xia Road
Shanghai, 200051
Tel: 86-21-6275-5700 Fax: 86-21-6275-5060

China - Shenzhen

Microchip Technology Consulting (Shanghai)
Co., Ltd., Shenzhen Liaison Office
Rm. 1315, 13/F, Shenzhen Kerry Centre,
Renminnan Lu
Shenzhen 518001, China
Tel: 86-755-2350361 Fax: 86-755-2366086

Hong Kong

Microchip Technology Hongkong Ltd.
Unit 901-6, Tower 2, Metroplaza
223 Hing Fong Road
Kwai Fong, N.T., Hong Kong
Tel: 852-2401-1200 Fax: 852-2401-3431

India

Microchip Technology Inc.
India Liaison Office
Divyasree Chambers
1 Floor, Wing A (A3/A4)
No. 11, O'Shaugnessey Road
Bangalore, 560 025, India
Tel: 91-80-2290061 Fax: 91-80-2290062

Japan

Microchip Technology Japan K.K.
Benex S-1 6F
3-18-20, Shinyokohama
Kohoku-Ku, Yokohama-shi
Kanagawa, 222-0033, Japan
Tel: 81-45-471- 6166 Fax: 81-45-471-6122

Korea

Microchip Technology Korea
168-1, Youngbo Bldg. 3 Floor
Samsung-Dong, Kangnam-Ku
Seoul, Korea 135-882
Tel: 82-2-554-7200 Fax: 82-2-558-5934

Singapore

Microchip Technology Singapore Pte Ltd.
200 Middle Road
#07-02 Prime Centre
Singapore, 188980
Tel: 65-6334-8870 Fax: 65-6334-8850

Taiwan

Microchip Technology Taiwan
11F-3, No. 207
Tung Hua North Road
Taipei, 105, Taiwan
Tel: 886-2-2717-7175 Fax: 886-2-2545-0139

EUROPE

Denmark

Microchip Technology Nordic ApS
Regus Business Centre
Lautrup hoj 1-3
Ballerup DK-2750 Denmark
Tel: 45 4420 9895 Fax: 45 4420 9910

France

Microchip Technology SARL
Parc d'Activite du Moulin de Massy
43 Rue du Saule Trapu
Batiment A - 1er Etage
91300 Massy, France
Tel: 33-1-69-53-63-20 Fax: 33-1-69-30-90-79

Germany

Microchip Technology GmbH
Gustav-Heinemann Ring 125
D-81739 Munich, Germany
Tel: 49-89-627-144 0 Fax: 49-89-627-144-44

Italy

Microchip Technology SRL
Centro Direzionale Colleoni
Palazzo Taurus 1 V. Le Colleoni 1
20041 Agrate Brianza
Milan, Italy
Tel: 39-039-65791-1 Fax: 39-039-6899883

United Kingdom

Arizona Microchip Technology Ltd.
505 Eskdale Road
Winnersh Triangle
Wokingham
Berkshire, England RG41 5TU
Tel: 44 118 921 5869 Fax: 44-118 921-5820

03/01/02

